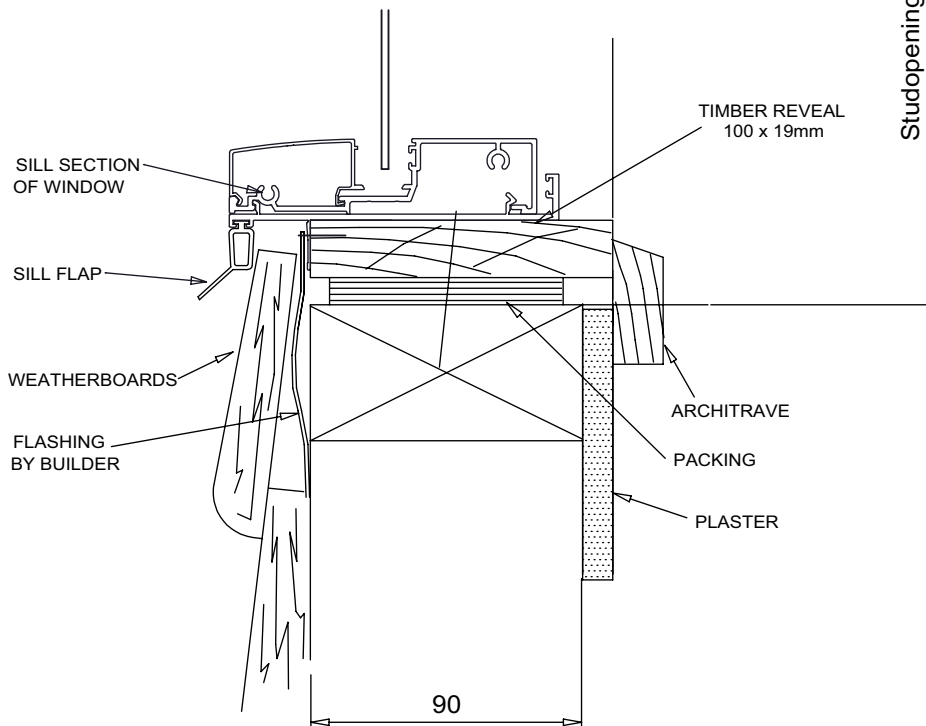
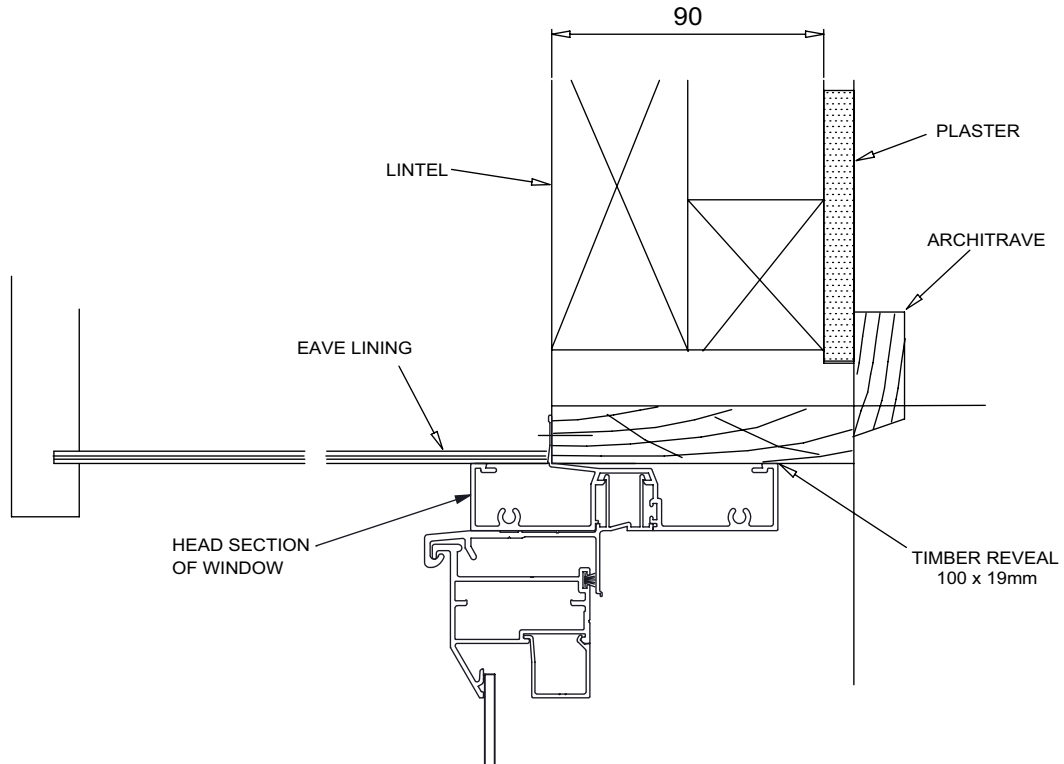


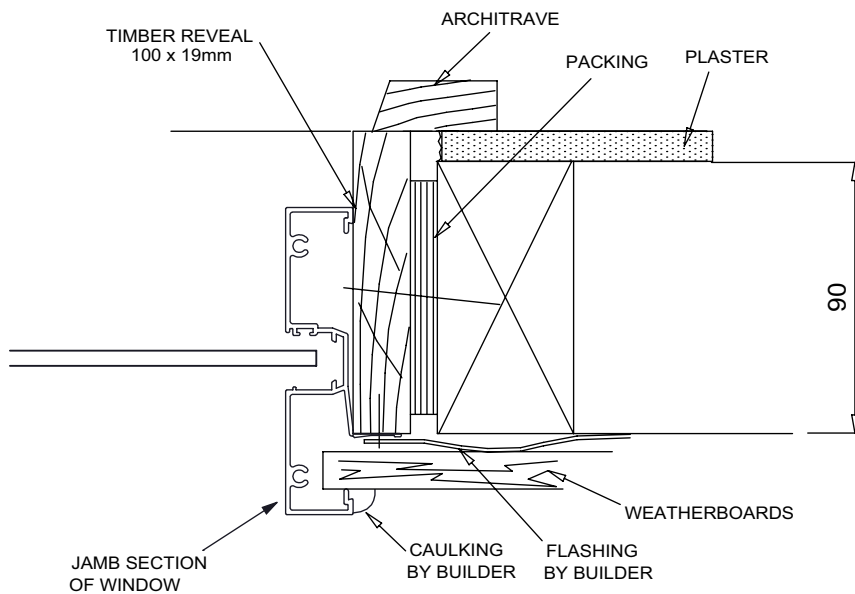
**TYPICAL HEAD DETAIL**  
(WALL OVER WINDOW)



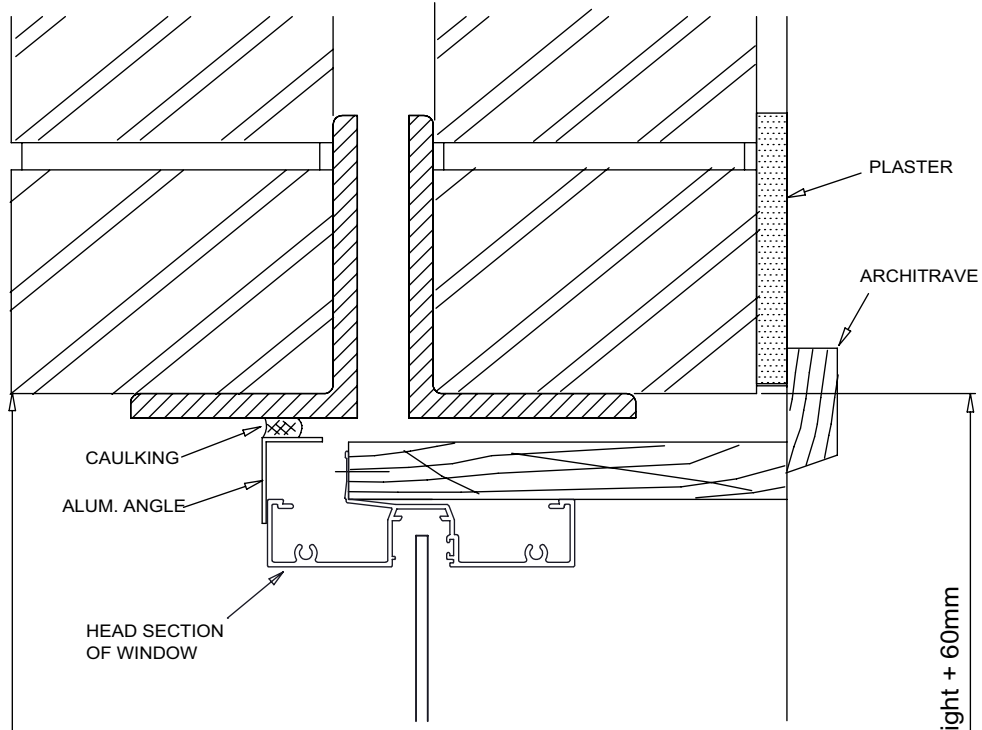
**TYPICAL SILL DETAIL**



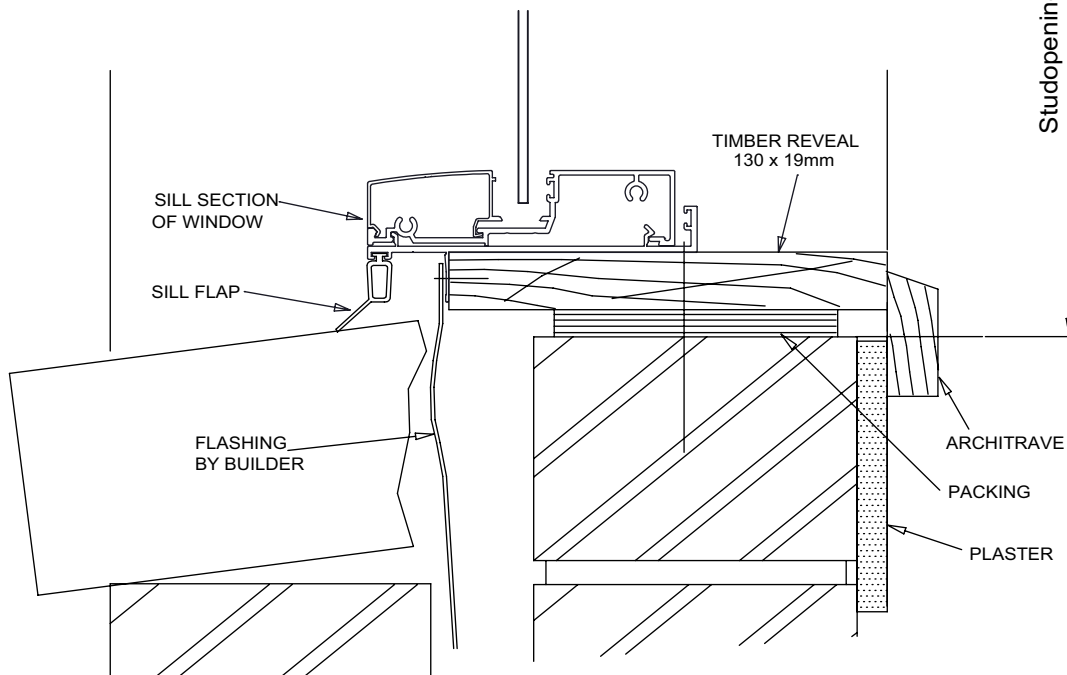
**TYPICAL HEAD DETAIL**  
(EAVES OVER WINDOW)



**TYPICAL JAMB DETAIL**



**TYPICAL HEAD DETAIL**  
(WALL OVER WINDOW)



**TYPICAL SILL DETAIL**



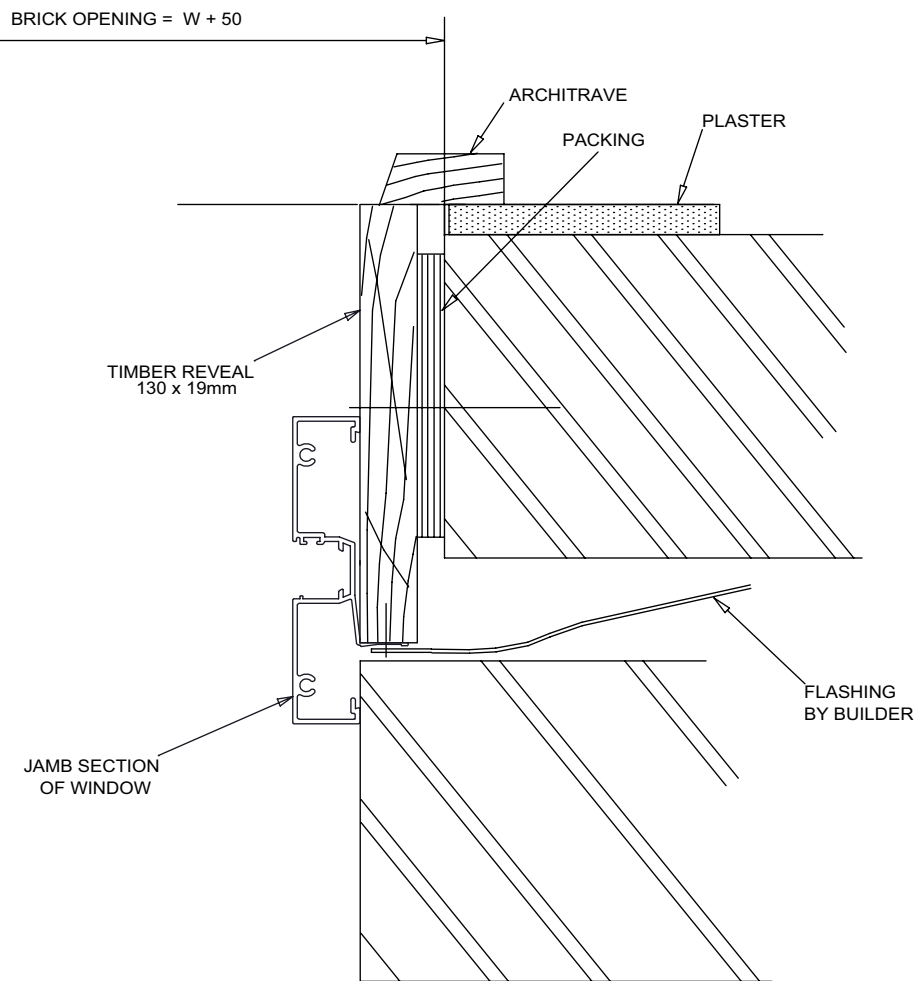
# SOUTHERN STAR WINDOWS PTY LTD AAW300 SERIES AWNING WINDOW

SUBJECT: **INSTALLATION DETAILS  
CAVITY BRICKWORK**

TECHNICAL MANUAL

PAGE: 7.5

DATE: OCT 2009



TYPICAL JAMB DETAIL